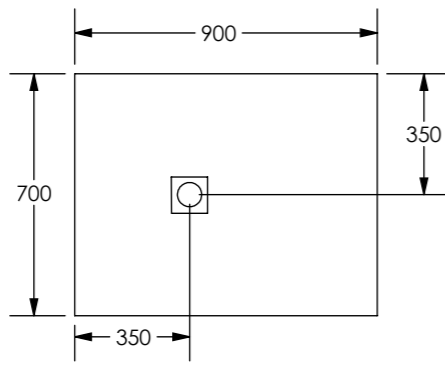
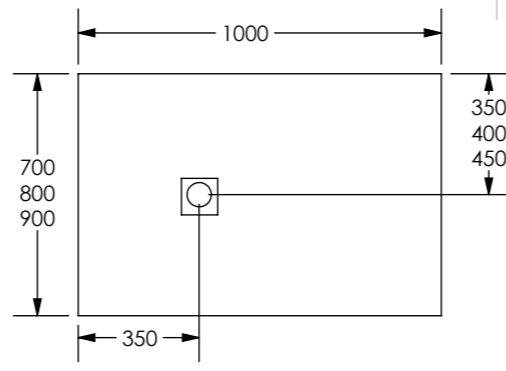


800 x 800, 900 x 900
1000 x 1000



900 x 700



1000 x 700, 1000 x 800,
1000 x 900



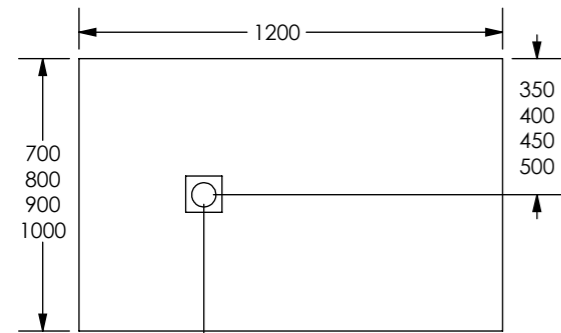
Height of all trays are 28mm
with a built in fall to waste

Internal depth is 13mm

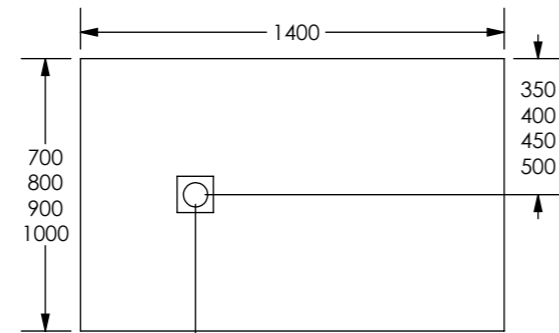
SPECIFICATIONS

SIZE WASTE POSITION

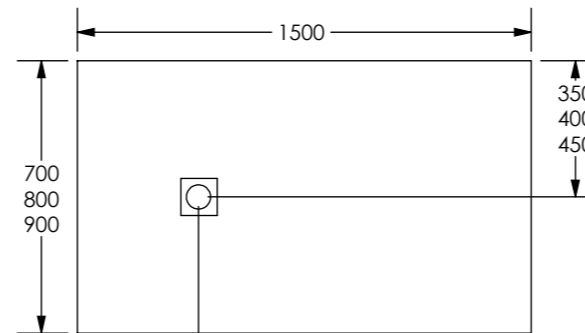
L X W	L X W
800 x 800	400 x 400
800 x 800 Q	400 x 400
900 x 900	450 x 450
900 x 900 Q	450 x 450
1000 x 1000	500 x 500
900 x 700	350 x 350
1000 x 700	350 x 350
1000 x 800	350 x 400
1000 x 900	350 x 450
1200 x 700	450 x 350
1200 x 800	450 x 400
1200 x 900	450 x 450
1200 x 1000	450 x 500
1400 x 700	450 x 350
1400 x 800	450 x 400
1400 x 900	450 x 450
1400 x 1000	450 x 500
1500 x 700	450 x 350
1500 x 800	450 x 400
1500 x 900	450 x 450
1600 x 700	550 x 350
1600 x 800	550 x 400
1600 x 900	550 x 450
1600 x 1000	550 x 500
1700 x 700	550 x 350
1700 x 800	550 x 400
1700 x 900	550 x 450
1800 x 700	550 x 350
1800 x 800	550 x 400
1800 x 900	550 x 450
1800 x 1000	550 x 500
2000 x 800	550 x 400
2000 x 900	550 x 450



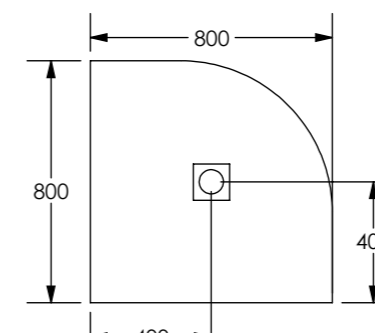
1200 x 700, 1200 x 800,
1200 x 900, 1200 x 1000



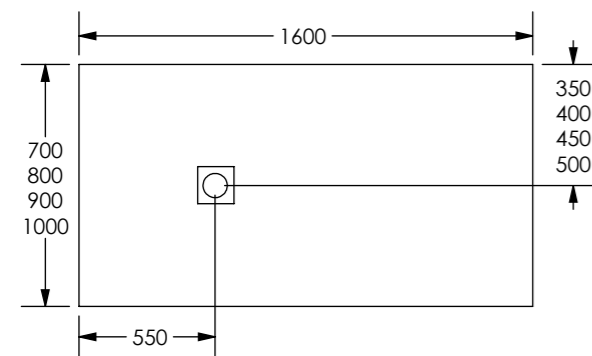
1400 x 700, 1400 x 800,
1400 x 900, 1400 x 1000



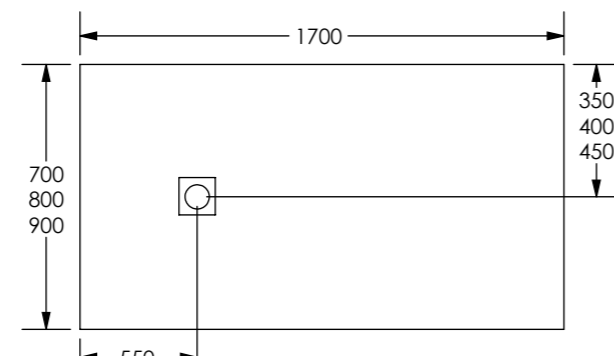
1500 x 700, 1500 x 800,
1500 x 900



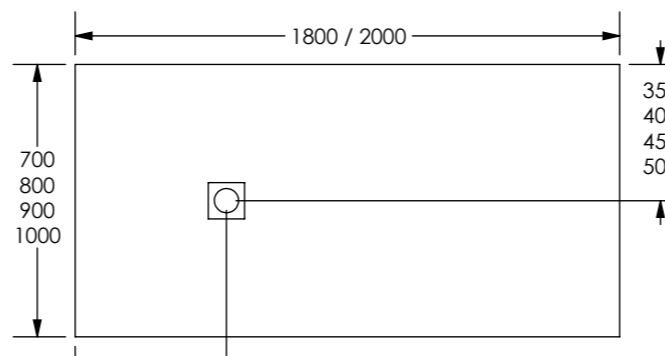
800 x 800 QUAD



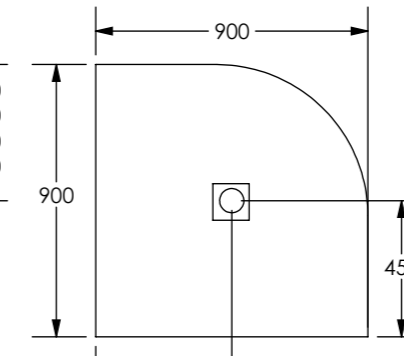
1600 x 700, 1600 x 800,
1600 x 900, 1600 x 1000



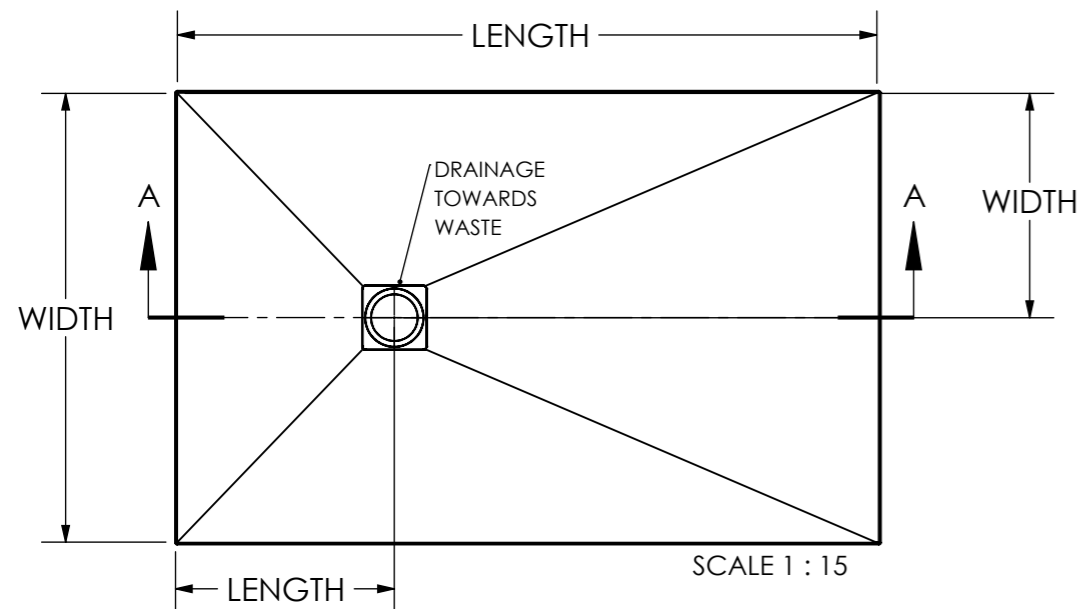
1700 x 700, 1700 x 800,
1700 x 900



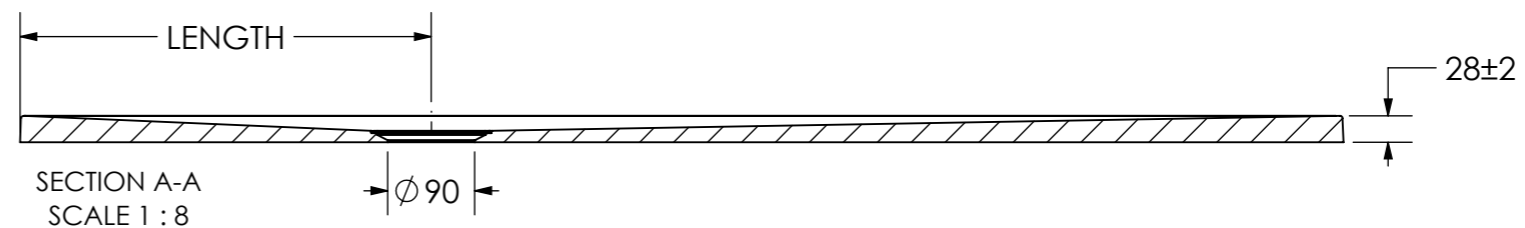
1800 x 700, 1800 x 800,
1800 x 900, 1800 x 1000,
2000 x 800, 2000 x 900



900 x 900 QUAD



SCALE 1 : 15



SECTION A-A
SCALE 1 : 8

UNLESS OTHERWISE SPECIFIED:
DIMENSIONS ARE IN MILLIMETERS
SURFACE FINISH: Gel coat
TOLERANCES: +/- 2mm
LINEAR:
ANGULAR:

FINISH:
**Gel coat slate
effect finish**

DEBUR AND
BREAK SHARP
EDGES

DO NOT SCALE DRAWING REVISION MK001

TITLE:
**NATURALS BY JT
TECHNICAL
DIMENSIONS**



NAME	SIGNATURE	DATE	MATERIAL:
DRAWN	R. Wilson	16/02/21	HD- POLYMER
			WEIGHT: VARIOUS

DWG NO.
Naturals by JT Tray Technical Dimensions 160221

A3

SCALE:1:10

SHEET 1 OF 1